



PRICE LIST

Manufacturers of : External / Internal / 'E' Clip Circlips, Dowel Pins (Spring / Solid), Taper Pins & Washer, Parallel Keys

Stockist in : All Types of High Tensile Fasteners, Allen Cap Screw, Grub Screw, Button Head & C.S.K. Cap Screws, M.M. Threads Carriage Bolts



Specialist for : Milimeter Size of Carriage Bolt, R. Cotter Pins, Shim Washer, Knurling Washer, Contact Washer, Steel Ball Grub Screw, Plunger Grub Screw

75, Nagdevi Cross Lane,

H. N. Bldg., Gr. Floor, Mumbai - 400 003.

Tel.: 2311 2777, 4013 0999 • Mob.: 98211 52421 / 99306 07357

Talkfree : 12777 • Email : shahprecisionindustries75@gmail.com

Dowel / Taper Pins - Metric

RATES PER - 100 NOS.

Size in mm	Dowel Pins Hard IS : 6689	Taper Pins Soft DIN 1	Size in mm	Dowel Pins Hard IS : 6689	Taper Pins Soft DIN 1	Size in mm	Dowel Pins Hard IS : 6689	Taper Pins Soft DIN 1
2 x 10	400.00	425.00	5 x 45	640.00	660.00	10 x 20	600.00	600.00
2 x 12	410.00	450.00	5 x 50	680.00	700.00	10 x 25	770.00	740.00
2.5 x 15	425.00	460.00	5 x 55	700.00	725.00	10 x 30	790.00	790.00
2.5 x 20	440.00	475.00	5 x 60	715.00	740.00	10 x 35	870.00	870.00
2.5 x 25	450.00	490.00	5 x 65	770.00	800.00	10 x 40	950.00	950.00
2.5 x 30	470.00	540.00	5 x 70	790.00	825.00	10 x 45	1050.00	1060.00
3 x 8	290.00	325.00	5 x 75	815.00	840.00	10 x 50	1150.00	1160.00
3 x 10	310.00	330.00	5 x 80	850.00	880.00	10 x 55	1300.00	1310.00
3 x 12	325.00	340.00	6 x 12	380.00	390.00	10 x 60	1450.00	1460.00
3 x 14	340.00	350.00	6 x 16	400.00	420.00	10 x 65	1580.00	1590.00
3 x 16	350.00	365.00	6 x 18	440.00	460.00	10 x 70	1750.00	1760.00
3 x 18	360.00	380.00	6 x 20	450.00	475.00	10 x 75	1910.00	1915.00
3 x 20	400.00	405.00	6 x 25	490.00	510.00	10 x 80	2100.00	2110.00
3 x 25	420.00	420.00	6 x 30	530.00	550.00	10 x 90	2400.00	2410.00
3 x 30	450.00	450.00	6 x 35	570.00	600.00	10 x 100	2800.00	2870.00
3 x 35	470.00	490.00	6 x 40	620.00	650.00	12 x 25	950.00	960.00
3 x 40	490.00	570.00	6 x 45	670.00	700.00	12 x 30	1050.00	1060.00
3 x 45	520.00	590.00	6 x 50	730.00	760.00	12 x 35	1225.00	1230.00
3 x 50	550.00	675.00	6 x 55	790.00	825.00	12 x 40	1275.00	1290.00
4 x 8	310.00	325.00	6 x 60	860.00	890.00	12 x 45	1430.00	1440.00
4 x 10	325.00	340.00	6 x 65	910.00	950.00	12 x 50	1570.00	1580.00
4 x 12	340.00	350.00	6 x 70	960.00	1000.00	12 x 55	1710.00	1740.00
4 x 16	360.00	390.00	6 x 75	1000.00	1050.00	12 x 60	1850.00	1860.00
4 x 18	420.00	400.00	6 x 80	1070.00	1110.00	12 x 65	2030.00	2040.00
4 x 20	420.00	420.00	6 x 90	1180.00	1230.00	12 x 70	2170.00	2180.00
4 x 25	440.00	460.00	6 x 100	1270.00	1320.00	12 x 75	2420.00	2450.00
4 x 30	470.00	510.00	8 x 16	480.00	490.00	12 x 80	2590.00	2590.00
4 x 35	490.00	540.00	8 x 18	500.00	525.00	12 x 90	2940.00	2940.00
4 x 40	540.00	590.00	8 x 20	525.00	550.00	12 x 100	3150.00	3150.00
4 x 45	560.00	620.00	8 x 25	560.00	600.00	16 x 25	1540.00	1540.00
4 x 50	620.00	675.00	8 x 30	620.00	700.00	16 x 30	1820.00	1820.00
4 x 55	650.00	740.00	8 x 35	700.00	740.00	16 x 35	2100.00	2100.00
4 x 60	680.00	840.00	8 x 40	800.00	805.00	16 x 40	2450.00	2450.00
4 x 65	715.00	1010.00	8 x 45	875.00	910.00	16 x 45	2800.00	2800.00
4 x 70	780.00	1050.00	8 x 50	1015.00	1040.00	16 x 50	3080.00	3080.00
5 x 12	365.00	380.00	8 x 55	1050.00	1160.00	16 x 55	3400.00	3390.00
5 x 14	380.00	390.00	8 x 60	1160.00	1260.00	16 x 60	3700.00	3690.00
5 x 16	400.00	400.00	8 x 65	1260.00	1400.00	16 x 65	3920.00	3920.00
5 x 18	430.00	450.00	8 x 70	1400.00	1540.00	16 x 70	4270.00	4270.00
5 x 20	470.00	475.00	8 x 75	1540.00	1680.00	16 x 75	4620.00	4620.00
5 x 25	490.00	510.00	8 x 80	1680.00	1820.00	16 x 80	4900.00	4900.00
5 x 30	520.00	550.00	8 x 90	1820.00	1960.00	16 x 90	5450.00	5450.00
5 x 35	560.00	610.00	8 x 100	1960.00	2075.00	16 x 100	6450.00	6450.00
5 x 40	600.00	675.00						

Dowel / Taper Pins - Metric
RATES PER - 100 NOS.

Size in mm	Dowel Pins Hard IS : 6689	Taper Pins Soft DIN 1	Size in mm	Dowel Pins Hard IS : 6689	Taper Pins Soft DIN 1	Size in mm	Dowel Pins Hard IS : 6689	Taper Pins Soft DIN 1			
3/32 x 3/8	425.00	460.00	3/16 x 2½	750.00	1080.00	3/8 x 1½	950.00	990.00			
3/32 x 1/2	450.00	500.00	3/16 x 2¾	780.00	1150.00	3/8 x 1¾	1050.00	1120.00			
3/32 x 3/4	470.00	530.00	3/16 x 3	820.00	1250.00	3/8 x 2	1150.00	1190.00			
3/32 x 1	480.00	550.00	1/4 x ½	380.00	420.00	3/8 x 2¼	1640.00	1640.00			
3/32 x 1¼	510.00	580.00				3/8 x 2½	1680.00	1680.00			
1/8 x ½	340.00	350.00	1/4 x ¾	430.00	510.00	3/8 x 3	1900.00	1960.00			
			1/4 x 1	450.00	540.00	3/8 x 3½	2300.00	2380.00			
1/8 x 3/4	360.00	380.00	1/4 x 1¼	510.00	610.00	3/8 x 4	2750.00	2870.00			
1/8 x 1	425.00	470.00	1/4 x 1½	600.00	750.00	½ x 1	950.00	980.00			
1/8 x 1¼	500.00	510.00	1/4 x 1¾	650.00	810.00						
1/8 x 1½	520.00	550.00	1/4 x 2	710.00	850.00						
1/8 x 1¾	550.00	610.00	1/4 x 2¼	880.00	1010.00						
1/8 x 2	590.00	675.00	1/4 x 2½	900.00	1080.00						
5/32 x ½	360.00	370.00	1/4 x 3	975.00	1210.00				½ x 1¼	1050.00	1200.00
			5/16 x ¾	520.00	550.00				½ x 1½	1260.00	1330.00
5/32 x 3/4	400.00	430.00	5/16 x 1	550.00	600.00	½ x 1¾	1400.00	1460.00			
5/32 x 1	435.00	460.00	5/16 x 1¼	690.00	750.00	½ x 2	1540.00	1640.00			
5/32 x 1¼	520.00	525.00	5/16 x 1½	800.00	805.00	½ x 2¼	1790.00	1900.00			
5/32 x 1½	560.00	610.00	5/16 x 1¾	840.00	880.00	½ x 2½	2030.00	2100.00			
5/32 x 1¾	600.00	660.00	5/16 x 2	970.00	1040.00	½ x 3	2380.00	2520.00			
5/32 x 2	640.00	740.00	5/16 x 2¼	1050.00	1160.00	½ x 3½	2800.00	2870.00			
3/16 x ½	380.00	390.00	5/16 x 2½	1200.00	1400.00	½ x 4	3220.00	3220.00			
			5/16 x 2¾	1330.00	1540.00	5/8 x 1½	2660.00	2030.00			
3/16 x 3/4	430.00	470.00	5/16 x 3	1470.00	1650.00	5/8 x 1¾	2940.00	2520.00			
3/16 x 1	480.00	510.00	5/16 x 3½	1820.00	1900.00	5/8 x 2	3150.00	3220.00			
3/16 x 1¼	550.00	580.00	5/16 x 4	1960.00	2100.00	5/8 x 2¼	3700.00	3710.00			
3/16 x 1½	600.00	700.00	3/8 x 1	700.00	770.00	5/8 x 2½	3920.00	3920.00			
3/16 x 1¾	625.00	740.00				5/8 x 3	4480.00	4480.00			
3/16 x 2	650.00	810.00	3/8 x 1¼	840.00	920.00	5/8 x 3½	5320.00	5320.00			
3/16 x 2¼	680.00	950.00				5/8 x 4	5600.00	5880.00			

DISC SPRING TYPE "A" (HARD SPRING) DIN 2093

Nominal Bold	I. D. (mm)	O. D. (mm)	Thickness (mm)	Height (mm)	Price per 100 Nos.
4 mm	4.2	08.0	0.40	0.60	130
5 mm	5.2	10.0	0.50	0.75	140
6 mm	6.2	12.5	0.70	1.00	180
7 mm	7.2	14.0	0.80	1.10	240
8 mm	8.2	16.0	0.90	1.25	250
9 mm	9.2	18.0	1.00	1.40	360
10 mm	10.2	20.0	1.10	1.55	380
11 mm	11.2	22.5	1.25	1.75	600
12 mm	12.2	25.0	1.50	2.05	650
14 mm	14.2	28.0	1.50	2.15	750
16 mm	16.3	31.5	1.75	2.45	1400
18 mm	18.3	35.5	2.00	2.80	1550
20 mm	20.4	40.0	2.25	3.15	2500
22 mm	22.4	45.0	2.50	3.50	3100
25 mm	25.4	50.0	3.00	4.10	5000
28 mm	28.5	56.0	3.00	4.30	7000
30 mm	31.0	63.0	3.50	4.90	12000
35 mm	36.0	71.0	4.00	5.60	13000
40 mm	41.0	80.0	5.00	6.70	24000
45 mm	46.0	90.0	5.00	7.00	27000
50 mm	51.0	100.0	6.00	8.20	40000
55 mm	57.0	112.0	6.00	8.50	

WAVE WASHERS BASED ON DIN 137

Nom. Size mm	TYPE A						TYPE B						Rate per 100 Nos.	
	D H 14	D J 16	H1		S1		D H 14	D J 16	S1		Thick ness	Tol		
			Min	Max	Thick ness	Tol			Min	Max				Thick ness
2	2.2	4.5	0.5	1.0	0.3	0.03								80/-
3	3.2	6.0	0.55	1.3	0.4		3.2	8	0.5	1.6				90/-
4	4.3	8.0	0.6	1.6			4.3	9	1.0	2.0				120/-
5	5.3	10.0	1.0	2.0			5.3	11	1.2	2.4				130/-
6	6.4	11.0	1.1	2.2			6.4	12	1.3	2.6				180/-
8	8.4	15.0	1.7	3.4			8.4	17	1.7	3.4	0.8	0.06		260/-
10	10.5	18.0	2.0	4.0	0.8	0.06	10.5	21	2.1	4.2	1.0	0.07		400/-
12							13	24	2.5	5.0	1.2			680/-
16							17	30	3.1	6.2	1.5			1320/-
20							21	36	3.7	7.4	1.6			2400/-
24							25	44	4.1	8.2	1.8	0.1		3000/-
30							31	56	5.0	10.0	2.2			RATES ON REQUEST
36							37	68	5.8	11.6	2.5			
42							43	78	6.8	13.6	3.0	0.2		
48							50	92	7.8	15.6	3.5			

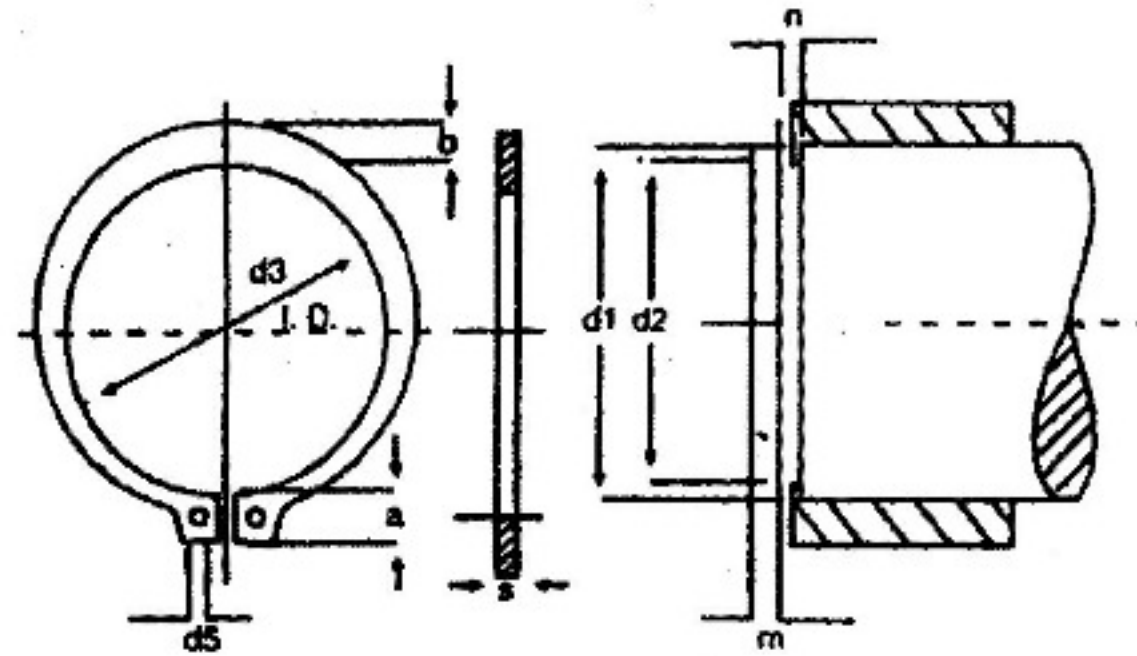
PARALLEL KEYS - METRIC STRIES - IS-2048-1983

Material : EN-8 Steel (in Soft Condition)

RATES PER PIECE

(Size in mm.)	Rs. P.	(Size in mm.)	Rs. P.	(Size in mm.)	Rs. P.
4 x 4 x 10	4.70	25 x 25 x 300	460.00	16 x 12 x 300	225.00
4 x 4 x 20	5.20	40 x 40 x 300	1300.00	16 x 14 x 300	235.00
4 x 4 x 30	6.80	50 x 50 x 300	1920.00	18 x 11 x 30	28.00
4 x 4 x 40	7.80	8 x 7 x 15	8.00	18 x 11 x 50	34.00
4 x 4 x 50	9.00	8 x 7 x 20	8.00	18 x 11 x 100	68.00
4 x 4 x 100	13.00	8 x 7 x 50	13.00	18 x 11 x 200	124.00
4 x 4 x 200	18.00	8 x 7 x 100	24.00	18 x 11 x 300	185.00
4 x 4 x 300	30.00	8 x 7 x 200	44.00	20 x 12 x 30	21.00
5 x 5 x 10	4.60	8 x 7 x 300	65.00	20 x 12 x 50	35.00
5 x 5 x 20	6.00	8 x 6 x 300	75.00	20 x 12 x 100	72.00
5 x 5 x 30	6.80	10 x 8 x 20	11.00	20 x 12 x 200	135.00
5 x 5 x 40	7.50	10 x 8 x 50	16.00	20 x 12 x 300	220.00
5 x 5 x 50	8.50	10 x 8 x 100	35.00	22 x 14 x 40	49.00
5 x 5 x 100	13.50	10 x 8 x 200	58.00	22 x 14 x 60	74.00
5 x 5 x 200	29.00	10 x 8 x 300	85.00	22 x 14 x 100	98.00
5 x 5 x 300	42.00	12 x 8 x 25	12.00	22 x 14 x 200	180.00
6 x 6 x 10	5.10	12 x 8 x 30	13.00	22 x 14 x 300	270.00
6 x 6 x 20	6.50	12 x 8 x 50	18.00	25 x 14 x 50	60.00
6 x 6 x 30	8.20	12 x 8 x 100	40.00	25 x 14 x 100	120.00
6 x 6 x 40	10.00	12 x 8 x 200	72.00	25 x 14 x 200	230.00
6 x 6 x 50	11.50	12 x 8 x 300	100.00	25 x 14 x 300	325.00
6 x 6 x 100	25.00	12 x 10 x 300	160.00	28 x 16 x 50	100.00
6 x 6 x 200	40.00	14 x 9 x 25	14.00	28 x 16 x 100	200.00
6 x 6 x 300	52.00	14 x 9 x 50	29.00	28 x 16 x 200	300.00
8 x 8 x 25	11.00	14 x 9 x 100	54.00	28 x 16 x 300	400.00
8 x 8 x 50	16.00	14 x 9 x 200	98.00	32 x 18 x 100	160.00
8 x 8 x 100	28.60	14 x 9 x 300	135.00	32 x 18 x 200	320.00
8 x 8 x 200	57.00	14 x 10 x 300	180.00	32 x 18 x 300	480.00
8 x 8 x 300	90.00	14 x 12 x 300	200.00	36 x 20 x 100	200.00
10 x 10 x 25	12.00	16 x 10 x 30	22.00	36 x 20 x 200	400.00
10 x 10 x 50	18.00	16 x 10 x 50	29.00	36 x 20 x 300	600.00
10 x 10 x 100	35.00	16 x 10 x 100	58.00	40 x 22 x 100	270.00
10 x 10 x 200	70.90	16 x 10 x 200	106.00	40 x 22 x 200	500.00
10 x 10 x 300	110.00	16 x 10 x 300	160.00	40 x 22 x 300	840.00
12 x 12 x 50	25.00			45 x 25 x 100	357.00
12 x 12 x 100	50.00			45 x 25 x 300	1065.00
12 x 12 x 200	100.00			50 x 28 x 100	470.00
12 x 12 x 300	130.00			50 x 28 x 300	1350.00
14 x 14 x 300	160.00			56 x 32 x 300	
16 x 16 x 300	200.00				
18 x 18 x 300	310.00				
20 x 20 x 300	350.00				
22 x 22 x 300	430.00				

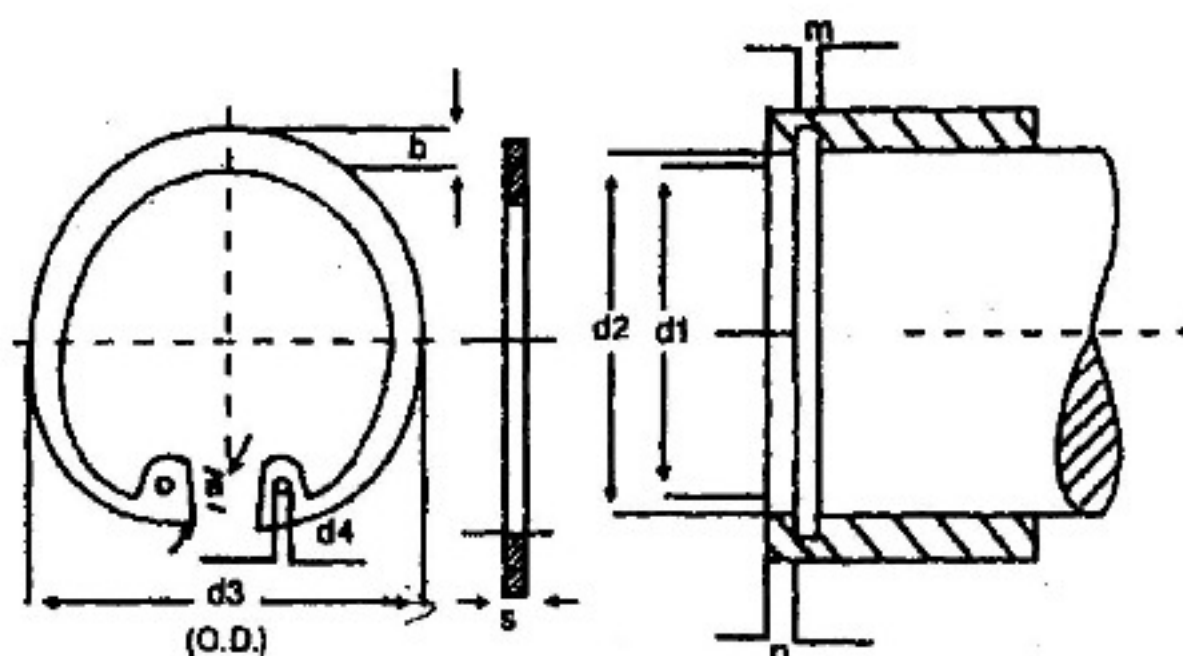
EXTERNAL CIRCLIPS - 471 - IS - 3075



(All dimensions are in millimeters)

Size mm d_1	Thickness mm s	I.D. mm d_3	Price per 100 Nos.	Size mm d_1	Thickness mm s	I.D. mm d_3	Price per 100 Nos.
4	0.4	3.7	56.00	48	1.75	44.5	524.00
5	0.6	4.7	56.00	50	2.00	45.8	637.00
6	0.7	5.6	56.00	52	2.00	47.8	728.00
7	0.8	6.5	56.00	55	2.00	50.8	797.00
8	0.8	7.4	60.00	58	2.00	53.8	956.00
9	1.0	8.4	62.00	60	2.00	55.8	980.00
10	1.0	9.3	63.00	62	2.00	57.8	1001.00
11	1.0	10.2	67.00	65	2.50	60.8	1115.00
12	1.0	11	70.00	68	2.50	63.5	1320.00
13	1.0	11.9	70.00	70	2.50	65.5	1365.00
14	1.0	12.9	74.00	72	2.50	67.5	1593.00
15	1.0	13.8	77.00	75	2.50	70.5	1645.00
16	1.0	14.7	81.00	78	2.50	73.5	1733.00
17	1.0	15.7	88.00	80	2.50	74.5	1820.00
18	1.2	16.5	91.00	82	2.50	76.5	1908.00
19	1.2	17.5	95.00	85	3.00	79.5	2118.00
20	1.2	18.5	116.00	90	3.00	84.5	2555.00
21	1.2	19.5	126.00	95	3.00	89.5	2730.00
22	1.2	20.5	126.00	100	3.00	94.5	3185.00
24	1.2	22.5	137.00	105	4.00	98	3360.00
25	1.2	23.2	149.00	110	4.00	103.0	3990.00
26	1.2	24.9	149.00	115	4.00	108.0	4725.00
28	1.5	25.9	179.00	120	4.00	113.0	4795.00
30	1.5	27.9	182.00	125	4.00	118.0	5705.00
32	1.5	29.6	198.00	130	4.00	123.0	6615.00
34	1.5	31.4	251.00	135	4.00	128.0	6825.00
35	1.5	32.2	251.00	140	4.00	134.0	7735.00
36	1.75	33.2	308.00	145	4.00	138.0	8190.00
38	1.75	35.2	308.00	150	4.00	142.0	8890.00
40	1.75	36.5	342.00	160	4.00	151.0	9800.00
42	1.75	38.5	354.00	170	4.00	160.0	15925.00
45	1.75	41.5	410.00	180	4.00	170.0	17080.00
47	1.75	43.5	478.00	190	4.00	180.5	18200.00
				200	4.00	190.5	19355.00

INTERNAL CIRCLIPS DIN - 472 - IS - 3075

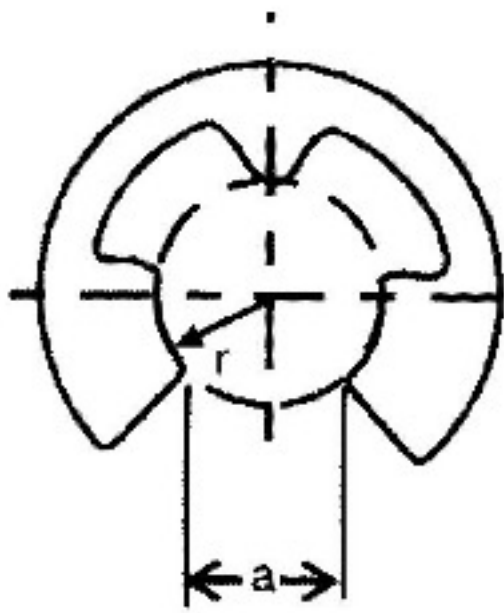


(All dimensions are in millimeters)

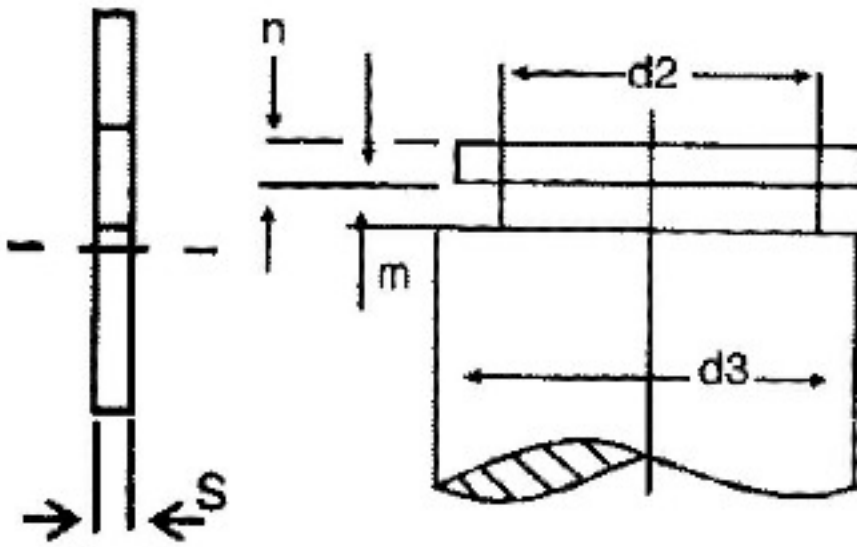
Size mm d_1	Thickness mm s	O.D. mm d_3	Price per 100 Nos.	Size mm d_1	Thickness mm s	O.D. mm d_3	Price per 100 Nos.
8	0.8	8.70	60.00	52	2.00	56.20	420.00
9	0.8	9.80	60.00	55	2.00	59.20	543.00
10	1.0	10.80	60.00	58	2.00	62.20	595.00
11	1.0	11.80	60.00	60	2.00	64.20	595.00
12	1.0	13.00	60.00	62	2.00	66.20	613.00
13	1.0	14.10	62.00	65	2.50	69.20	832.00
14	1.0	15.10	63.00	68	2.50	72.50	893.00
15	1.0	16.20	67.00	70	2.50	74.50	910.00
16	1.0	17.30	70.00	72	2.50	76.50	980.00
17	1.0	18.30	70.00	75	2.50	79.50	1120.00
18	1.0	19.50	70.00	78	2.50	82.50	1225.00
19	1.0	20.50	74.00	80	2.50	85.50	1400.00
20	1.0	21.50	81.00	82	2.50	87.50	1663.00
21	1.0	22.50	102.00	85	3.00	90.50	1715.00
22	1.0	23.50	102.00	90	3.00	95.50	1750.00
24	1.2	25.90	105.00	95	3.00	100.50	1785.00
25	1.2	26.90	105.00	100	3.00	106.00	1960.00
26	1.2	27.90	109.00	105	4.00	112.50	2240.00
28	1.2	30.10	109.00	110	4.00	117.00	2520.00
30	1.2	32.10	116.00	115	4.00	122.00	2730.00
32	1.2	34.40	123.00	120	4.00	127.00	2835.00
34	1.5	36.50	172.00	125	4.00	132.00	3413.00
35	1.5	37.80	172.00	130	4.00	137.00	3675.00
36	1.5	38.80	182.00	135	4.00	142.00	4550.00
38	1.5	40.80	193.00	140	4.00	147.00	4550.00
40	1.75	43.50	231.00	145	4.00	152.00	5425.00
42	1.75	45.50	238.00	150	4.00	158.00	6125.00
45	1.75	48.50	259.00	160	4.00	169.00	6825.00
47	1.75	50.50	291.00	170	4.00	179.00	7963.00
48	1.75	51.50	342.00	180	4.00	189.00	9800.00
50	2.00	54.20	368.00	190	4.00	199.00	12250.00
				200	4.00	209.50	14175.00

E CLIP DIN - 6799

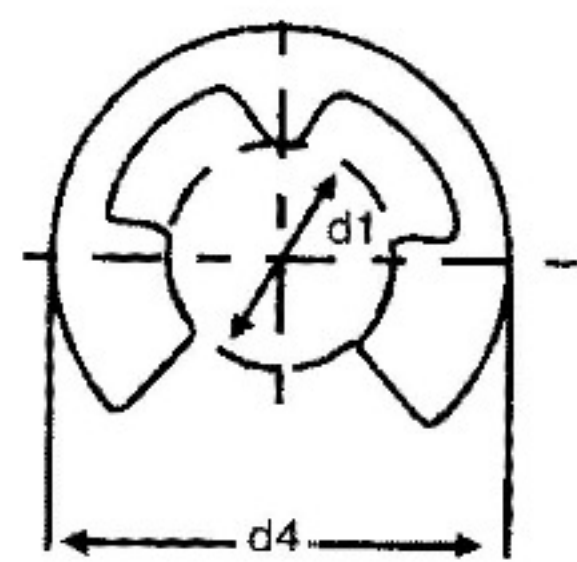
Unexpanded



Circlip Groove for Shaft



Expanded



Nom Shaft Groove Dia d1	Retaining Ring				Shaft Dia		Shaft Groove				Price per 100 Nos.
	External Dia Expanded d4	"a" H10	Thickness		d3		Dia d2 H 11	m	Tol.	n min	
			'S'	Tol	From	To					
0.8	2.0	0.58	0.2		1.0	1.4	0.8	0.24		0.4	180.00
1.2	3.0	1.01	0.3		1.4	2.0	1.2	0.34	±0.02	0.6	50.00
1.5	4.0	1.28	0.4		2.0	2.5	1.5	0.44		0.8	50.00
1.9	4.5	1.61	0.5		2.5	3.0	1.9	0.54			50.00
2.3	6.0	1.94			3.0	4.0	2.3			1.0	50.00
3.2	7.0	2.70	0.6	±0.02	4.0	5.0	3.2	0.64			50.00
4.0	9.0	3.34			5.0	7.0	4.0		±0.03		60.00
5.0	11.0	4.11	0.7		6.0	8.0	5.0	0.74		1.2	70.00
6.0	12.0	5.26			7.0	9.0	6.0				80.00
7.0	14.0	5.84	0.9		8.0	11.0	7.0	0.94		1.5	110.00
8.0	16.0	6.52	1.0		9.0	12.0	8.0	1.05		1.8	150.00
9.0	18.5	7.63	1.1		10.0	14.0	9.0	1.15		2.0	175.00
10.0	20.0	8.32	1.2		11.0	15.0	10.0	1.25			180.00
12.0	23.0	10.45	1.3	±0.03	13.0	18.0	12.0	1.35	±0.06	2.5	350.00
15.0	29.0	12.61	1.5		16.0	24.0	15.0	1.55		3.0	500.00
19.0	37.0	15.92	1.75		20.0	31.0	19.0	1.80		3.5	1000.00
24.0	44.0	21.88	2.0		25.0	38.0	24.0	2.05		4.0	2350.00

SPRING DOWEL PINS

- MADE FROM CARBON SPRING STEEL EN-42-J DIN 1481

DIN-1481

(PRICE PER 100 PCS.)

Dia	1.5 mm	2 mm	3mm	4 mm	5 mm	6 mm	8 mm	10 mm	12 mm
Length	1/16"	3/32"	1/8"	5/32"	3/16"	1/4"	5/16"	13/32"	1/2"
12 mm	120.00	120.00	120.00	135.00	160.00	200.00	255.00	450.00	600.00
15 mm	125.00	120.00	125.00	150.00	170.00	230.00	270.00	490.00	710.00
20 mm	130.00	130.00	145.00	170.00	190.00	240.00	315.00	525.00	860.00
25 mm	150.00	145.00	155.00	175.00	220.00	285.00	375.00	630.00	900.00
30 mm	175.00	155.00	180.00	200.00	240.00	330.00	400.00	675.00	1100.00
32 mm	180.00	180.00	195.00	210.00	265.00	350.00	450.00	790.00	1125.00
35 mm	220.00	208.00	215.00	240.00	310.00	390.00	465.00	900.00	1200.00
40 mm	250.00	250.00	250.00	275.00	320.00	410.00	500.00	975.00	1240.00
45 mm	275.00	260.00	285.00	300.00	365.00	435.00	525.00	1125.00	1275.00
50 mm	350.00	300.00	305.00	380.00	405.00	480.00	600.00	1200.00	1540.00
55 mm	-	-	325.00	415.00	490.00	585.00	675.00	1275.00	1650.00
60 mm	-	-	-	440.00	560.00	640.00	780.00	1425.00	2025.00
65 mm	-	-	-	-	630.00	750.00	900.00	1950.00	2550.00
70 mm	-	-	-	-	730.00	900.00	990.00	2145.00	2750.00
75 mm	-	-	-	-	810.00	1000.00	1100.00	2350.00	3100.00
80 mm	-	-	-	-	890.00	1100.00	1245.00	2590.00	3350.00
90 mm	-	-	-	-	920.00	1140.00	1305.00	2670.00	3610.00
100 mm	-	-	-	-	970.00	1220.00	1390.00	2820.00	3850.00

WAVE WASHERS FOR BALL BEARINGS PRE-LOADING WASHERS

Aubar	Bearing No.			O.D. (D)	I.D. (d)	Thickness (S)	Rate Per 100 Pcs.
26 mm		6000		25.5 mm	21 mm	0.3	700.00
32 mm		6002	6201	31.5 mm	25.5 mm	0.3	800.00
35 mm	6300	6003	6202	34.0 mm	28 mm	0.4	1000.00
37 mm	6301			35.1 mm	30.1 mm	0.4	1100.00
40 mm			6203	39.5 mm	34 mm	0.4	1200.00
42 mm	6302	6004		41.0 mm	34 mm	0.4	1400.00
47 mm	6303	6005	6204	46.5 mm	39.5 mm	0.4	1600.00
52 mm	6304		6205	51.0 mm	41 mm	0.5	1800.00
55 mm		6006		53.4 mm	44.4 mm	0.5	2000.00
62 mm	6305	6007	6206	61.0 mm	51 mm	0.5	2200.00
72 mm	6306		6207	71.0 mm	61 mm	0.5	2800.00
80 mm	6307	6010	6208	79.0 mm	71 mm	0.6	3000.00
85 mm			6209	84.1 mm	73.7 mm	0.6	4000.00
90 mm	6308	6011	6210	89.0 mm	79 mm	0.6	4500.00
100 mm	6309	6013	6211	99.0 mm	89 mm	0.6	5500.00

KM LOCKNUTS**MB LOCKWASHERS**

SIZE	RATE	SIZE	RATE	SIZE	RATE	SIZE	RATE
KM 0	38	KM 24	456	MB 0	11	MB 24	172
KM 1	38	KM 25	503	MB 1	11	MB 25	218
KM 2	38	KM 26	549	MB 2	11	MB 26	225
KM 3	38	KM 27	661	MB 3	13	MB 27	258
KM 4	45	KM 28	694	MB 4	15	MB 28	278
KM 5	53	KM 29	767	MB 5	15	MB 29	291
KM 6	53	KM 30	860	MB 6	15	MB 30	311
KM 7	53	KM 31	959	MB 7	16	MB 31	337
KM 8	62	KM 32	1032	MB 8	16	MB 32	337
KM 9	69	KM 33	1137	MB 9	19	MB 33	384
KM 10	77	KM 34	1197	MB 10	22	MB 34	403
KM 11	82	KM 36	1296	MB 11	22	MB 36	476
KM 12	86	KM 38	1468	MB 12	29	MB 38	641
KM 13	111	KM 40	1752	MB 13	34	MB 40	760
KM 14	135			MB 14	34	MB 42	952
KM 15	145			MB 15	40	MB 44	952
KM 16	212			MB 16	40	MB 48	1217
KM 17	238			MB 17	46	MB 52	1574
KM 18	278			MB 18	60	MB 56	1937
KM 19	311			MB 19	73	MB 60	2724
KM 20	331			MB 20	86	MB 64	3425
KM 21	357			MB 21	106	MB 68	4020
KM 22	384			MB 22	112	MB 72	4563
KM 23	436			MB 23	139		

"Machine Fold & Mercury" Brand Cotterpins

Size incl. of head to short end		1/16" 1.6 mm	3/32" 2.5 mm	1/8" 3.2 mm	5/32" 4 mm	3/16" 5 mm	7/32" 5.5 mm	1/2" 6.3 mm
1/2"	12mm	8.00	12.00	17.00				
3/4"	20 mm	9.00	13.00	19.50	33.00			
1"	25 mm	10.00	16.00	23.50	39.00	52.00		
1.1/4"	32 mm	12.00	18.00	27.00	45.00	58.60		117.00
1.1/2"	38 mm	16.00	19.50	32.00	52.00	72.00	104.00	130.00
1.3/4"	45 mm	25.00	26.00	35.00	59.00	85.00	117.00	143.00
2"	50 mm	30.0	33.00	40.00	65.00	97.00	124.00	156.00
2.1/2"	63 mm	36.00	46.00	55.00	78.00	117.00	143.00	176.00
3"	75 mm	50.00	52.00	65.00	91.00	137.00	162.00	195.00

**SS CIRCLIP 304
(EXTERNAL)**

SIZE	RATE EACH (Rs.)
4 MM	1.50
5 MM	1.50
6 MM	1.50
8 MM	1.50
9 MM	1.50
10 MM	1.50
11 MM	1.50
12 MM	1.50
13 MM	1.75
14 MM	1.75
15 MM	2.00
16 MM	2.25
17 MM	2.50
18 MM	3.00
19 MM	3.25
20 MM	3.50
22 MM	4.00
24 MM	4.50
25 MM	4.75
26 MM	5.25
28 MM	9.00
30 MM	10.00
32 MM	11.00
35 MM	15.00
38 MM	24.00
40 MM	25.00
42 MM	34.00
45 MM	35.00
47 MM	45.00
50 MM	50.00
55 MM	50.00
60 MM	60.00
65 MM	75.00
70 MM	90.00
75 MM	100.00
80 MM	120.00
85 MM	150.00
90 MM	175.00
100 MM	200.00

**SS CIRCLIP 304
(INTERNAL)**

SIZE	RATE EACH (Rs.)
10 MM	1.75
11 MM	1.75
12 MM	1.75
14 MM	2.00
15 MM	2.00
16 MM	2.25
17 MM	2.50
18 MM	3.00
19 MM	3.00
20 MM	3.25
22 MM	3.50
24 MM	4.50
25 MM	4.50
26 MM	4.50
28 MM	5.00
30 MM	5.00
32 MM	5.00
35 MM	10.00
36 MM	14.00
38 MM	15.00
40 MM	18.00
42 MM	20.00
45 MM	25.00
47 MM	25.00
50 MM	30.00
52 MM	30.00
55 MM	38.00
60 MM	38.00
62 MM	40.00
65 MM	75.00
70 MM	90.00
72 MM	90.00
75 MM	90.00
80 MM	120.00
82 MM	150.00
85 MM	175.00
90 MM	175.00
100 MM	200.00
110 MM	400.00

**SS 304
"E-CLIP"**

SIZE	RATE EACH (Rs.)
1.5	40.00
1.9	40.00
2.3	50.00
3.2	60.00
4.0	70.00
5.0	75.00
6.0	90.00
7.0	125.00
8.0	150.00
9.0	175.00
10.0	200.00
12.0	300.00
15.0	900.00
19.0	1500.00